



K956XX PENETROMETER BATH

OPERATION AND INSTRUCTION MANUAL

Koehler Instrument Company, Inc.

1595 Sycamore Avenue • Bohemia, New York 11716-1796 • USA

Toll Free: 1-800-878-9070 (US only) • Tel: +1 631 589 3800 • Fax: +1 631 589 3815

<http://www.koehlerinstrument.com> • e-mail: info@koehlerinstrument.com

Petroleum Testing & Analysis Instrumentation • Custom Design & Manufacturing

Table of Contents

Section 1 – General Information

- 1.1 Warranty
- 1.2 Unpacking

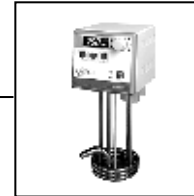
Section 2 – Circulating Bath

- 2.1 Contents
- 2.2 General Description
- 2.3 Circulator Pump
- 2.4 Pump Inlet and Outlet Connections
- 2.5 Closed Loop Circulation
- 2.6 Filling the Reservoir
- 2.7 Reservoir Purge



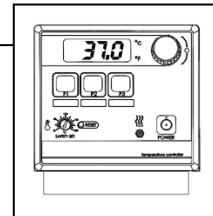
Section 3 – Immersion Circulator

- 3.1 Contents
- 3.2 General Description
- 3.3 Circulator Pump
- 3.4 Set-Up
- 3.5 Connections to External Apparatus
- 3.6 Attainable Temperatures



Section 4 – Standard Controller Information

- 4.1 Front and Rear Panels
- 4.2 Heater/Pump Assembly
- 4.3 Specifications



Section 5 – Operation

- 5.1 Circulator Location
- 5.2 Reservoir Liquid Level
- 5.3 Power
- 5.4 Setting the Safety Set Set Point
- 5.5 Selecting Temperature Units
- 5.6 Setting the Software High Limit
- 5.7 Setting the Set point Temperature
- 5.8 User-Defined Preset Temperatures
- 5.9 Local Lockout Feature
- 5.10 Stick-on Strips for Preset Buttons
- 5.11 Auto-Refrigeration Operation
- 5.12 Controller Display Messages

Section 6 – Calibration and Maintenance

- 6.1. Calibration
- 6.2 Heater
- 6.3 Pump Motor
- 6.4 Cleaning
- 6.5 Maintaining Clear Bath Water
- 6.6 Condenser, Air Vents, and Reusable Filter (Refrigerating/Heating Circulators only)

Section 7 – Troubleshooting

- 7.1 Unit Will Not Operate (No Heat, Cooling, or Pumping)
- 7.2 No Pumping
- 7.3 Slow or Insufficient Pumping
- 7.4 No Heating
- 7.5 Insufficient Heating
- 7.6 No Cooling or Insufficient Cooling
- 7.7 Triac Failure

Section 8 – Reservoir Fluids

Section 9 – Service and Technical Support

Section 10 – Replacement Parts

Section 1 - General Information

1.1 Warranty

Thank you for purchasing this circulator. We are confident it will serve you for a long time. Our warranty to you is as follows:

The manufacturer agrees to correct for the original user of this product, either by repair, or at the manufacturer's election, by replacement, any defect that develops after delivery of this product within the period as stated on the warranty card. In the event of replacement, the replacement unit will be warranted for 90 days or warranted for the remainder of the original unit's parts or labor warranty period, whichever is longer.

If this product requires service, contact the manufacturer/supplier's office for instructions. When return of the product is necessary, a return authorization number will be assigned and the product should be shipped, (transportation charges pre-paid), to the indicated service center. To insure prompt handling, the return authorization number should be placed on the outside of the package and a detailed explanation of the defect enclosed with the item.

This warranty shall not apply if the defect or malfunction was caused by accident, neglect, unreasonable use, improper service, or other causes not arising out of defects in material or workmanship. There are no warranties, expressed or implied, including, but not limited to, those of merchantability or fitness for a particular purpose which extends beyond the description and period set forth herein.

The manufacturer's sole obligation under this warranty is limited to the repair or replacement of a defective product and shall not, in any event, be liable for any incidental or consequential damages of any kind resulting from use or possession of this product. Some states do not allow: (A) limitations on how long an implied warranty lasts; or (B) the exclusion or limitation of incidental or consequential damages, so the above limitations or exclusions may not apply to you. This warranty gives you specific legal rights. You may have other rights that vary from state to state.

1.2 Unpacking

Your circulator is shipped in a special carton. Retain the carton and all packing materials until the unit is completely assembled and working properly. Set up and run the unit immediately to confirm proper operation. Beyond one week, your unit may be warranty repaired, but not replaced. If the unit is damaged or does not operate properly, contact the transportation company, file a damage claim and contact the company where your unit was purchased immediately.

Remove any loose packing material that may have fallen into the reservoir during shipping. Before powering up, check that nothing remains around the heater or circulator pump.

The instructions in this manual pertain to both circulating baths as well as the immersion circulator. Read the section pertaining to the special instructions for your model, then review the instructions for all models of circulators.



This symbol marks chapters and sections of this instruction manual which are particularly relevant to safety.



This symbol indicates that hazardous voltages may be present.

**Read all instructions pertaining to safety, set-up, and operation.
Proper operation is the users' responsibility.**

Section 2 - Circulating Bath



2.1

Contents

- Circulating Bath
- Operators Manual
- Warranty Card
- Stick-on Strips for Preset Buttons (Qty 2)
- IEC Power Cord
- Tube Fitting Package Containing:

Description	Quantity	Part Number
— 3/16 inch Barbed Tube Fittings	2	300-049
— 1/4 inch Barbed Tube Fittings	2	300-048
— 3/8 inch Barbed Tube Fittings	2	300-047
— Hose, Bypass, Buna N (-40 to 120°C)	1	590-068
— 1/4 inch NPT – M16, Male Adapting Fittings*	2	775-290

*Included with 50Hz Models only

2.2

General Description

Refrigerating/Heating and Heat Only Circulating Baths with the Standard Controller are designed for use as stand-alone baths or to provide precise temperature control of fluids for closed loop circulation to external equipment.

All Circulating Bath models feature a reservoir which may be used for immersing samples while the unit is connected to an external device. Circulating bath models are equipped with either 6, 13, or 28 liter reservoirs. All wetted parts are corrosion resistant 300 series stainless steel.

Refrigeration is normally required for operation at temperatures below 40°C. However, refrigeration should not be used when the fluid temperature is above 55°C. Refrigeration should not be turned on when the ambient air temperature is above 32°C.

Model Type	Temperature Range	Reservoir Capacity	Amps @ 120v 60Hz	Amps @ 240v 50Hz
Refrigerating/Heating	-20° to 150°C	6L	12A	9.9A
Refrigerating/Heating	-30° to 150°C	13L	13A	9.8A
Refrigerating/Heating	-25° to 100°C	28L	13A	9.8A
Refrigerating/Heating	-40° to 150°C	13L	14A	9.9A
Heat Only	Ambient +5° to 150°C	6L	11A	9.8A
Heat Only	Ambient +5° to 150°C	13L	11A	9.8A
Heat Only	Ambient +5° to 150°C	28L	11A	9.8A

Environmental Conditions:

- Indoor Use Only
- Maximum Altitude: 2000 meters
- Relative Humidity: 80% for temperatures to 30°C
- Class 1: Residential, Commercial, Light Industrial
- Over Voltage: Category II
- Operating Ambient: 5° to 30°C
- Pollution Degree: 2
- Class 2: Heavy Industrial



Warning: These units are equipped with over-temperature protection (Safety Set). A low-liquid level or failure to set the Safety Set and properly immerse the heater may result in heater burnout and triac failure. While operating, do not allow the heater to contact any potentially flammable materials, such as plastic trays or the sides of plastic tanks, as a fire hazard may result.

2.3

Circulator Pump

The two-speed simplex (pressure) pump may be used for tempering of samples in the reservoir or for circulation in closed loops. It is not designed for pumping from the circulator's reservoir into and out of a second open reservoir.

The HIGH or LOW Speed Selection Switch on the rear of the Controller is used to select pump speed. LOW is adequate for most applications and provides quieter pumping. HIGH is recommended where temperature varies frequently and there is a need for fast recovery or when pumping to multiple external units.



Speed Selection	Maximum Pump Outlet Ratings Line Frequency = 50/60Hz
HIGH	15 LPM / 2.6 PSI
LOW	9 LPM / 1.5 PSI

The data in the table above are based on the following criteria:

1. Maximum pump outlet flow rate is measured in liters per minute (LPM) with no restriction on the pump outlet.
2. Maximum pump outlet pressure is measured in pounds per square inch (PSI) at no flow.
3. Water was used as the circulation fluid. Water has a viscosity of one centistoke. High viscosity or low-density fluids will change these figures.

2.4

Pump Inlet and Outlet Connections

The pump inlet and outlet ports are female ¼ inch NPT connections that permit use of barbed tubing adapters or hard plumbing fittings. ½ inch (13mm) ID tubing may also be slid over these connections and held in place with a hose clamp. If the pump inlet and outlet are not used for external circulation, they should be connected using the Buna N Bypass Hose provided with the unit in order to optimize fluid mixing within the reservoir.



The nylon barbed tubing adapter fittings supplied with the unit are intended for applications from -40 °C to 93 °C. For applications above 93 °C, brass, stainless steel, or Teflon® fittings are recommended. ¼ inch NPT to M16 stainless steel male adapter fittings are provided with all 50Hz models.

It is the user's responsibility to ensure that the tubing and fittings connected to the Circulator are compatible with the bath fluid and temperature range being used.

NOTE: The use of quick-connect fittings is not recommended as they typically restrict flow rate.

2.5

Closed Loop Circulation

Connect the pump inlet and outlet to the external apparatus. To maintain adequate flow, avoid restrictions in the tubing. When connecting the Circulator to more than two closed loops, the use of a manifold made of "Y" adapters to divide the fluid into multiple banks is recommended. After setting up multiple closed loops, check for adequate flow at the return manifold of each loop and check that the bath fluid is at an adequate level. A booster pump may be added to closed loops without damaging the Circulator's bath pump.

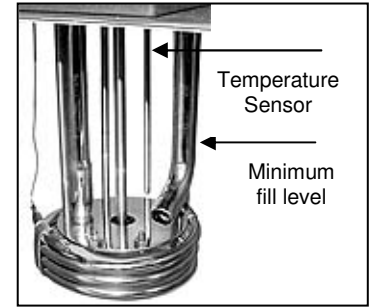
The temperature control stability of a closed loop system is better at the external apparatus than in the Circulator reservoir (provided the control point of the apparatus represents a constant load and is well insulated). For example, if you circulate fluid through a viscometer at 50 °C, the temperature variation observed in the Circulator reservoir may be ±0.2 °C while the temperature variation in the viscometer may be only ±0.1 °C.

Although temperature stability is generally better at the external apparatus control point, depending on the length of tubing used and the efficiency of the insulation, the actual temperature reading at the external apparatus may be slightly different than the temperature reading at the Circulator reservoir.

2.6 Filling the Reservoir

The maximum fill level for the Circulating bath is one inch (25mm) below the top of the reservoir. A liquid level that fully covers the heater coil, pump, over-temperature sensor, and at least one inch (25mm) of the temperature sensor must be maintained. For optimum cooling efficiency, the bath fluid level in Refrigerating/Heating Circulators should be kept above the cooling coils at all times.

Upon start-up, it may be necessary to add fluid to compensate for the fluid required for external circulation. If the proper fluid level is not maintained, the heater coil may become exposed and possibly damaged.



2.7 Reservoir Purge

When operating at low temperatures, atmospheric moisture tends to migrate into the reservoir and condense. The 1/8 inch OD Reservoir Purge tube allows you to inject inert gas into the Circulating bath to prevent the build-up of condensation.

Section 3- Immersion Circulator

3.1 Contents

- Immersion Circulator
- Operators Manual
- Warranty Card
- IEC Power Cord



3.2 General Description

Immersion Circulators with Standard Controller are designed for use in user-supplied reservoirs. These units can be used with many sizes and shapes of reservoirs, making them extremely versatile and useful for a wide variety of applications.

Model Type	Temperature Range	Reservoir Capacity	Amps @ 120V, 60Hz	Amps @ 240V, 50Hz
Heat Only Immersion Circulator	Ambient+5 °C to 150 °C*	N/A	11A	7.5A

3.3 Circulator Pump

The HIGH or LOW speed selection switch on the rear panel of the Controller is used to select pump speed. LOW is adequate for most applications and provides quieter pumping. HIGH is recommended where temperature varies frequently and there is a need for fast recovery or when pumping to multiple external units.

Speed Selection	Maximum Pump Outlet Ratings Line Frequency = 50/60Hz
HIGH	15 LPM / 2.6 PSI
LOW	9 LPM / 1.5 PSI

The data in the table above are based on the following criteria:

1. Maximum pump outlet flow rate is measured in liters per minute (LPM) with no restriction on the pump outlet.
2. Maximum pump outlet pressure is measured in pounds per square inch (PSI) at no flow.
3. Water was used as the circulation fluid. Water has a viscosity of one centistoke. High viscosity or low-density fluids will change these figures.

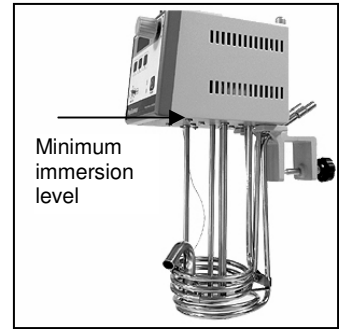
	<p>Warning: These units are equipped with over-temperature protection (Safety Set). A low-liquid level or failure to set the Safety Set and properly immerse the heater may result in heater burnout and triac failure. While operating, do not allow the heater to contact any potentially flammable materials, such as plastic racks or sides of plastic tanks, as a fire hazard may result.</p>
--	---

3.4 Set-Up

The Immersion Circulator may be clamped directly to the side of a reservoir (user supplied) or to a support rod adjacent to the reservoir. To produce the best fluid circulation, the rotating pump outlet nozzle should be pointed along one side of the reservoir wall.

The liquid in the reservoir should be maintained at a depth sufficient to fully immerse the heater coils, over-temperature sensor, and pump outlet nozzle.

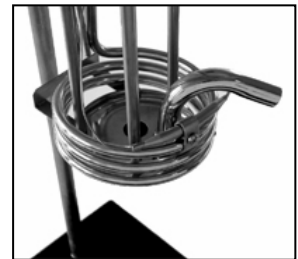
When using a plastic reservoir, be sure to position the Circulator so that the heater coils do not contact the sides or bottom of the tank.



3.5 Connections to External Apparatus

Although not designed for closed loop circulation (the Immersion Circulator does not have inlet and outlet fittings), it may be used for this purpose.

To connect the Immersion Circulator to an external apparatus, slide ½ inch ID (13mm) tubing over the rotating pump outlet nozzle and fasten it in place with a hose clamp. Connect the other end of the tubing to the inlet of the external apparatus. Be sure to run tubing from the outlet of the external apparatus back to the reservoir to return the fluid.



3.6 Attainable Temperatures

An Immersion Circulator can be used with reservoirs of various capacities and shapes as well as with different fluids. These variables may adversely affect temperature accuracy and stability. For example, a reservoir with large surface area loses heat more quickly, which may prevent the Circulator from attaining the desired temperature.

The following chart is intended as an approximate guide to temperature performance expectations under various conditions:

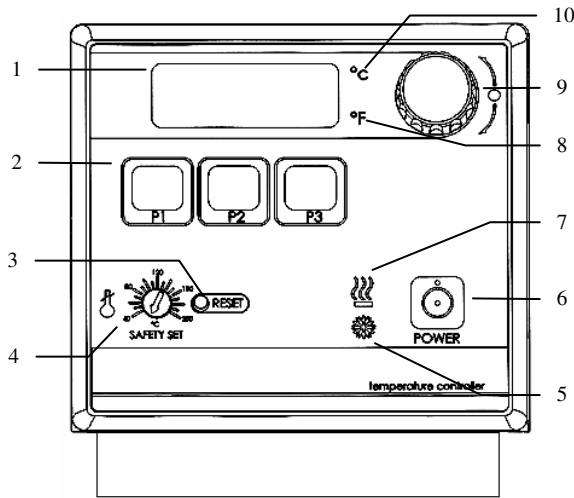
Approximate Attainable Temperatures vs. Liters In Uncovered Reservoir

Temperature	30°C	40°C	50°C	60°C	70°C	80°C	90°C	100°C	110°C	120°C	130°C	140°C	150°C
Water	192L	96L	48L	24L	12L	6L	3L	–	–	–	–	–	–
Oil	283L	202L	145L	103L	74L	53L	38L	27L	19L	14L	10L	7L	5L

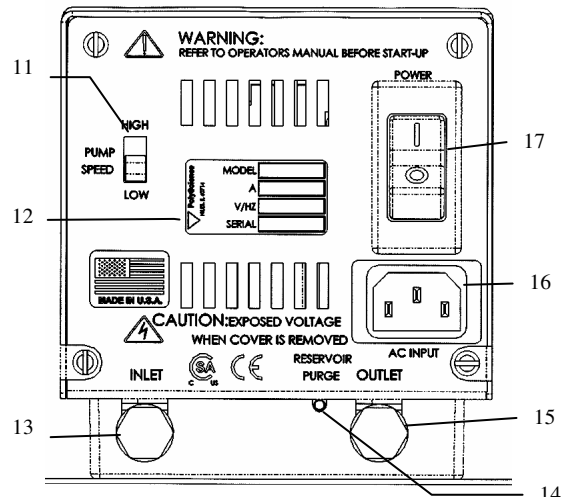
Results may vary.

Section 4 - Standard Controller Information

4.1 Front and Rear Panels



Front View



Rear View

- | | |
|--|---------------------------------------|
| 1. Display | 11. Pump Speed Switch |
| 2. Preset Temperature Buttons | 12. Identification Label |
| 3. Safety Set Reset Button | 13. Pump Inlet ² |
| 4. Safety Set Indicator Knob | 14. Reservoir Purge ² |
| 5. Cooling Light ¹ | 15. Pump Outlet ² |
| 6. Power ON / OFF Button | 16. AC Input |
| 7. Heating Light | 17. Circuit Breaker / AC Power Switch |
| 8. °F Light | |
| 9. Select/Set Knob (Push to set, turn to adjust) | |
| 10. °C Light | |

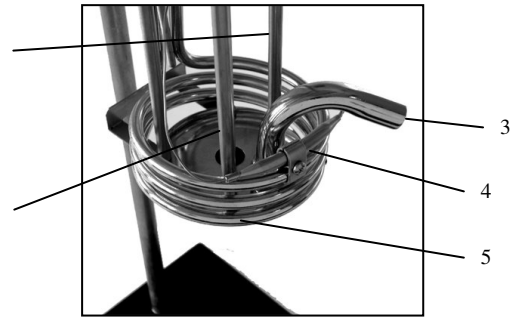
¹ Present on Refrigerating/Heating models only

² Built in on reservoir models only

4.2 Heater/Pump Assembly

1. Temperature Sensor
2. Pump Shaft and Impeller
3. Pump Outlet Nozzle¹
4. Over-Temperature Sensor
5. Heater Coils

¹ Rotates on Immersion Circulators



4.3 Specifications

Temperature Stability	±0.05°C
Readout Accuracy	±0.5°C
Over-Temperature Protection	Yes, user-adjustable
Low-Liquid Protection	Yes
Heater	1100W – 115V, 1600 W – 240V
Pump Speeds	2-speed, 9 liters per minute or 15 liters per minute

Environmental Conditions:

- Indoor Use Only
- Maximum Altitude: 2000 meters
- Relative Humidity: 80% for temperatures to 30°C
- Class 1: Residential, Commercial, Light Industrial
- Over Voltage: Category II
- Operating Ambient: 5° to 30°C
- Pollution Degree: 2
- Class 2: Heavy Industrial


Section 5 – Operation

5.1 Circulator Location

Locate the Circulator on a level surface, free from drafts and out of direct sunlight. Do not place it where there are corrosive fumes, excessive moisture, high room temperatures, or excessive dust is present.

Refrigerating/Heating Circulators must be a minimum of four inches (102mm) away from walls or vertical surfaces so air flow around the unit is not restricted.

To help prevent voltage drops, position the Circulator as close as possible to the power distribution panel and a properly grounded outlet. The use of an extension cord is not recommended.

	<p>Warning: These units are equipped with over-temperature protection (Safety Set). A low liquid level or failure to set the Safety Set and properly immerse the heater may result in heater burnout and triac failure. While operating, do not allow the heater to contact any potentially flammable materials, such as plastic racks or sides of plastic tanks, as a fire hazard may result.</p>
---	---

5.2 Reservoir Liquid Level

Fill the reservoir with the appropriate bath fluid. On Circulating Baths, the liquid level should be sufficient to cover the heating coils, pump, over-temperature sensor, and at least one inch (25mm) of the temperature sensor. On Immersion Circulators, the liquid level should be sufficient to fully immerse the heater coils, over-temperature sensor, and pump outlet nozzle.

5.3 Power

An IEC power cord is provided with the Circulator. This power cord should be plugged into the IEC receptacle on the rear of the Controller and then plugged into a properly grounded outlet. Make sure that the power outlet is the same voltage and frequency indicated on the identification label on the back of the Controller.

The use of an extension cord is not recommended. However, if one is necessary, it must be properly grounded and capable of handling the total wattage of the unit. The extension cord must not cause more than a 10% drop in voltage to the Circulator.

Once the unit has been connected to an appropriate electrical outlet, place the Circuit Breaker/Power Switch on the rear of the Controller in the ON position. Four decimal points (....) will appear on the digital display. DO NOT place the Power Switch on the front of the Controller ON until the Safety Set has been adjusted to the desired temperature (see 5.4 below).

Indicated Voltage:

Volts/Phase/Frequency	Operational Voltage Range	Phase	Frequency
100/ 1 / 60	90 to 110 Volts	single	60 Hz
100/ 1 / 50	90 to 110 Volts	single	50 Hz
120/ 1 / 60	110 to 130 Volts	single	60 Hz
230/ 1 / 60	208 to 230 Volts	single	60 Hz
240/ 1 / 50	220 to 240 Volts	single	50 Hz



After filling the reservoir with fluid, you must set the Safety Set and the Software High Limit as well as your desired control set point temperature.

5.4 Setting the Safety Set Set Point

The Safety Set feature automatically disconnects Controller power to the heater and pump in the event that the reservoir liquid level drops too low or the Controller fails. The Safety Set is user-adjustable between approximately 40° and 210°C. It should be set at least 5°C higher than the Software High Limit temperature.

Use a flat blade screwdriver to rotate the Safety Set Indicator Knob to the desired temperature. Do not force the knob beyond the stops at either end of the temperature value range.

Once the Safety Set temperature has been set, turn power to the Controller ON by pressing the Power Switch on the front of the Controller. The pump will begin operating, the display will flash the current temperature set point (tx.xx), the °C LED will light, and the current bath temperature will appear on this display. Pump speed selection is made using the Pump Speed Selection Switch on the rear of the Controller (see Section 2.3 or 3.3).

If power is disrupted because the Safety Set temperature was exceeded, place the Circuit Breaker/Power Switch in the OFF position, press the Safety Set Reset Button, correct the problem (low liquid level, incorrect Safety Set temperature, etc.), and then restore power.

Activation of the Safety Set during normal operation will display a fault (FLt 3) on the readout.

5.5 Selecting Temperature Units

The control set point and actual bath temperatures may be displayed in either °C or °F. The factory-default is °C.

To change from °C to °F, place the Circuit Breaker/Power Switch on the rear of the Controller in the OFF position and then press and hold the P2 Button while turning the power back ON.

To change from °F to °C, place the Circuit Breaker/Power Switch in the OFF position and then press and hold the P3 Button while turning the power back ON.

NOTE: When the temperature display units are changed, the Software High Limit value and all temperature presets revert to the factory-default values. If a calibration value has been entered, the value will be retained.

5.6 Setting the Software High Limit

This feature provides additional safety and protection by allowing a selectable upper temperature limit set point. To avoid an unwanted shutdown during regular operation, the high limit value should be set at least 5°C higher than the selected control temperature

To set the Software High Limit temperature set point, press the P2 and P3 keys simultaneously and repeat until (Hxxx) appears on the display. This is the current Software High Limit value. It is factory set at 152°C.

To change the displayed value, press and turn the Select/Set Knob until the desired Software High Limit set point value is displayed. A clockwise rotation increases the value; a counterclockwise rotation decreases the value. Press the Select/Set Knob a second time to accept the new value and return to normal operation.

If the Software High Limit value meets or exceeds the control temperature set point, (E-H1) will flash on the display. If this occurs, enter a higher value for the Software High Limit or reduce the control temperature set point.

If the actual bath temperature reaches the Software High Limit setpoint, (FLt1) will flash on the display. Should this occur, the Controller will automatically remove power from the heater and, in Refrigerating/Heating units, the compressor as well. The pump will continue to operate.

Once the problem is corrected (bath temperature reduced or Software High Limit value increased), press the Power button to clear the message.

5.7 Setting the Set Point Temperature

Press and release the Select/Set Knob. The decimal point flashes to indicate that the set point temperature can be changed.

Turn the Select/Set Knob until the desired temperature set point is displayed. A clockwise rotation increases the setting; a counterclockwise rotation decreases the setting. Press the Select/Set Knob a second time to accept the displayed value. The decimal point stops flashing and the display will indicate the actual bath temperature. Allow sufficient time for the bath to stabilize at the desired temperature before making any adjustments to set point temperature.

NOTE: The unit will automatically accept the displayed set point after approximately 10 seconds of inactivity, even if the Select/Set Knob was not pressed.

The set point temperature may be checked at any time by pressing the Select/Set Knob.

If the set point temperature cannot be raised, it is possible that the Software High Limit value is set lower than the desired control temperature set point. Reset the Software High Limit value to 5°C or more above the desired set point temperature.

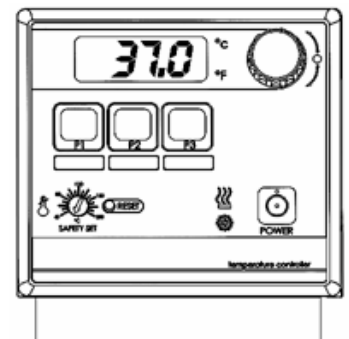
5.8 User-Defined Preset Temperatures

With the unit on, press the desired Preset Button — P1, P2, or P3. The LED associated with the selected Preset Button will begin to flash.

Rotate the Select/Set Knob to the desired temperature set point.

Press the selected Preset Button a second time to enter the new set point. The new set point temperature will not be saved unless the Preset Button is pressed.

The LED associated with Preset Button lights continuously whenever that preset value is controlling bath temperature. If more than one Preset Button is set at a given temperature set point, the LED associated with all Preset Buttons with that set point will light.



5.9 Local Lockout Feature

This feature enables the user to lock all controls on the controller. While the feature is activated, the unit will remain running at the current settings.

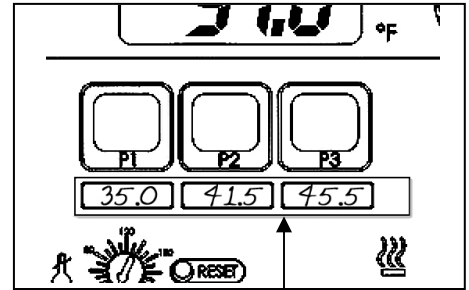
To activate the local lockout feature, press and hold the Select/Set Knob for 10 seconds. Once locked, the screen will read LLo. When locked, the setpoint decimal point will not flash as usual.

Press and hold the Select/Set Knob again for 10 seconds to unlock the controls. Once unlocked, the screen will read CAn.

5.10 Stick-on Strips for Preset Buttons

The Standard Controller is supplied with two stick-on strips that can be applied beneath the Preset Buttons. These strips are removable and can be reapplied.

The user can write the set point temperature associated with each Preset Button on this strip. The use of an erasable medium, such as dry erase marker or flair tip pen is recommended. The former can be wiped off with a dry cloth or tissue; the later can usually be removed with simple glass cleaner and a cloth or tissue. Do not use a permanent marker or ballpoint pen. Always do an ink test before writing on these strips.



The stick-on strip fits beneath the controller's Preset Buttons. It is removable and reapplicable.

5.11 Auto-Refrigeration Operation

Auto-Refrigeration selects the temperature at which refrigeration is activated. For most applications, a set point 15°C above room temperature is recommended.

Cool Command Refrigeration

Refrigerating/Heating Circulators with 13 and 28 liter reservoirs feature the advanced **Cool Command™** modulating refrigeration control system. Cool Command Auto-Refrigeration has a broader range of control — from +20°C to 85°C — than conventional refrigeration. Additionally, it allows the refrigeration system to turn on at a fluid temperature up to 150°C when the temperature set point is changed to or below the Auto-Refrigeration set point (85°C maximum). As a result, bath fluids cool more quickly.

Conventional refrigeration

Refrigerating/Heating Circulators with 6 liter reservoirs use a conventional refrigeration system. The Auto-Refrigeration control range on these is from +20°C to 70°C. The refrigeration system will turn on when the bath fluid temperature is at or above the Auto-Refrigeration set point (70°C maximum).

Setting the Auto-Refrigeration Temperature:

Press the P2 and P3 Buttons simultaneously and repeat until the current Auto-Refrigeration set point temperature appears on the display (Axxx).

To change the displayed value, press and turn the Select/Set Knob until the desired temperature is displayed. Press the Select/Set Knob a second time to enter the value and return to normal operation.

The factory default Auto-Refrigeration value is 40°C.

5.12 Controller Display Messages

Display	Description	Action Required
....	Standby mode	Normal — Indicates that the Circuit Breaker/Power Switch is ON and the Controller Power Switch is OFF
tx.xx	Power up self-test	Normal — Appears momentarily at startup
oCx.x	Calibration offset value	Normal — Current calibration offset value; refer to section 6.1
Hxxx	Software High Limit value	Normal — Current Software High Limit value; refer to section 5.6
Axxx	Auto-Refrigeration set point value	Normal — Current Auto-Refrigeration set point; refer to section 5.10 (Appears only on Refrigerating/Heating Circulators)
E-H1	Software High Limit set point too low	Error — The value entered is below the control temperature set point. Refer to Setting Software High Limit, section 5.6
FLt 1	Software High Limit value exceeded	Error — Set a Software High Limit value higher, then turn main power to the unit OFF and back ON; refer to section 5.6
FLt 2	EEPROM reset	Error — Turn Circuit Breaker/Power Switch OFF, hold P3 Button, and then turn the Circuit Breaker/Power Switch back ON
FLt 3	Safety Set temperature exceeded	Error — Check fluid level Check fluid temperature and set point Ensure that OTP set point is higher than fluid set point or increase to maximum Turn Circuit Breaker/Power Switch OFF, press Safety Set Reset Button, and then turn the Circuit Breaker/Power Switch back ON
FLt 4	Heating Triac failure	Error — Service required
FLt 5	Probe failure	Error — Service required
FLt 6	i2c error — Communication failure to modulation board	Error — Service required (Appears only on Refrigerating/Heating Circulators)

Section 6 - Calibration and Maintenance

6.1. Calibration

Calibration allows the user to match the Controller's bath temperature display to an external reference thermometer. Calibration is performed as follows:

Set the desired operating fluid temperature set point and allow temperature to stabilize.

Press the P2 and P3 simultaneously and release and repeat until the display reads (oCx.x). Press P1 and hold until (Cal) is displayed. This will take about 2 seconds.

At one second intervals, the displayed value will alternate between the actual bath fluid temperature and the current offset value, which is the difference between the factory calibration setting and the user's reference temperature sensor. The maximum offset is $\pm 0.9^{\circ}\text{C}$ from factory calibration.

To change the calibration offset value, rotate the Select/Set Knob until the display matches the reading on the reference temperature sensor. The display will continue to alternate between the offset value and the calibrated display temperature.

Press the Select/Set Knob or the P1 Button to accept the entered value. When the new calibration is stored and the mode is exited, (dONE) will appear on the display.

NOTE: The displayed offset value will also be accepted if there no activity for 20 seconds.

6.2 Heater

The heater should be kept clean. If deposits build up on the heater, they may be removed by scrubbing with a non-metallic (plastic) abrasive pad. Do not use steel wool.

6.3 **Pump Motor**

The pump bearings are permanently lubricated with high-temperature silicone grease and do not require additional lubrication. Should the bearings become noisy, replacement of the entire pump motor is recommended. This will reduce repair labor costs and retain fluid pumping reliability.

A replacement pump and motor mounting kit is available (see Section 10 - Replacement Parts).

6.4 **Cleaning**

Only mild detergents and water or an approved cleaner should be used on the painted and stainless steel surfaces of the Circulator. Do not allow cleaning liquids or sprays to enter the Controller vents.

A concentrated bath cleaner is available that can be used to remove mineral deposits from the reservoir. See Section 10 - Replacement Parts.

6.5 **Maintaining Clear Bath Water**

When water is used as the bath fluid, optimal conditions are present for algae growth. To prevent algae contamination and minimize the need for draining the reservoir, an algicide should be used. See Section 10 - Replacement Parts.

Do NOT use chlorine bleach in the reservoir or on any pump parts.

6.6 **Condenser, Air Vents, and Reusable Filter (Refrigerating/Heating Circulators Only)**

To keep the refrigeration system operating at optimum cooling capacity, the condenser, the front and back air vents, and reusable filter should be kept free of dust and dirt. They should be checked on a scheduled basis and cleaned as required.

The reusable filter is easily accessed from the bottom/front of the unit. Turn the filter-retaining clip away from the filter cutout and remove the filter as shown by photo 6.6. Use a mild detergent and water solution to wash off any accumulated dust and dirt and then rinse thoroughly and dry before reinstalling.



Photo 6.6

Section 7 - Troubleshooting

7.1 **Unit Will Not Operate (no heat, cooling, or pumping)**

- Check that the power cord is plugged in to an operating electrical outlet.
- Check that the Circuit Breaker/Power Switch is ON.
- Check that the Controller Power Switch is ON.
- Check that the Safety Set temperature is higher than the control temperature set point.
- Turn power off, press the Safety Set Reset button, and restore power.

7.2 **No Pumping**

- Check the fluid level of the bath to be sure the pump head is covered with fluid.
- If the pump motor does not spin, verify that the Pump Speed Switch is either in the HIGH or LOW position. If it is in the middle, the pump will not receive power.
- Check the pump impeller for obstructions (it should turn freely).

7.3 **Slow or Insufficient Pumping**

- Check for low line voltage, particularly when the heater is on.
- Check for too small of a hose diameter (closed loop applications).
- Check for too high of a fluid viscosity.

7.4

No Heating

- Verify that the unit is pumping properly.
- If the heat light is not lit, check the control temperature set point and bath temperature to verify that heating is required.
- Verify that the liquid in the bath covers the heater coils.
- Check that the Software High Limit value has not been exceeded (FLt 1 appears on the display).

7.5

Insufficient Heating

- Verify that the unit is pumping properly.
- Check for proper line voltage.
- Check for excessive external cooling load on unit.
- At higher temperatures, insufficient heating could be due to excessive heat loss from tanks, hoses, or vapor from the tank.
- Check that the heat demand from connected devices or experiments does not exceed the heating capabilities of the unit.
- Allow sufficient time for bath temperature to stabilize when changes in heat load or set point are made.

7.6

No Cooling or Insufficient Cooling

- Check that the Cooling switch is ON.
- If the cooling light is not lit, check the control temperature set point and bath temperature to verify that cooling is required.
- Check for low or high line voltage.
- Check for blocked airflow through ventilation screens.
- Check ambient air temperature. Refrigeration unit should not be operated above 32°C ambient temperature as high air temperature may cause the refrigeration compressor to temporarily shut down.
- Check for excessive heat being transferred to the bath liquid as this may exceed the cooling capacity of the refrigeration system.

7.7

Triac Failure

- (FLt4) appears on the display, indicating that the heater triac has failed or line supply voltage has a source of extreme interference from other equipment. Plug the unit into another power source. If it still displays triac failure, a triac or triac driver needs replacement.

Section 8 - Reservoir Fluids

Depending on your needs, a variety of fluids can be used with your Circulator. No matter what bath medium is selected, it must be chemically compatible with the reservoir and with the 300 series stainless steel in the pump and heater. It must also be suitable for the desired temperature range. Always use fluids that satisfy safety, health, and equipment compatibility requirements

For optimum temperature stability, the fluid's viscosity should be 50 centistokes or less at its lowest operating temperature. This permits good fluid circulation and minimizes heating from the pump.

For temperatures from 10°C to 90°C, distilled water is recommended. For temperatures below 10°C, a mixture of laboratory grade ethylene glycol and water should be used. Do not use deionized water.

The following chart is intended to serve as a guide in selecting a bath fluid for your application. For optimum temperature stability and low vaporization, be sure to stay within the fluid's normal temperature range.

You are responsible for proper selection and use of the fluids.

Avoid extreme range operation.

FLUID DESCRIPTION	SPECIFIC HEAT @25°C	NORMAL RANGE	EXTREME RANGE
Distilled Water	1.00	10° — 90°C	2° — 100°C
Ethylene Glycol 30% / Water 70%	.90	0° — 95°C	-15° — 107°C
Ethylene Glycol 50% / Water 50%	.82	-20° — 100°C	-30° — 100°C
Dynalene-HC 50	.76	-50° — 60°C	-62° — 60°C
DC200, 5 cs Silicone Oil	.32	-35° — 65°C	-50° — 125°C*
DC200, 10 cs Silicone Oil	.34	-20° — 80°C	-35° — 165°C*
DC200, 20 cs Silicone Oil	.36	0° — 100°C	-10° — 230°C*
DC200, 50 cs Silicone Oil	.39	50° — 150°C	5° — 270°C*
DC510, 50 cs Silicone Oil	.39	50° — 150°C	5° — 270°C*
DC550, 125 cs Silicone Oil	.42	100° — 200°C	80° — 232°C*
DC710, 500 cs Silicone Oil	.45	150° — 250°C	125° — 260°C*

*WARNING - Fluid's flash point temperature
DC fluids are manufactured by Dow Corning.
Dynalene HC is a registered TM of Advanced Fluid Technology Inc.

DO NOT USE the following fluids:

1. Automotive antifreeze with additives**
2. Hard tap water**
3. Deionized water with a specific resistance > 1 meg ohm
4. Any flammable fluids
5. Concentrations of acids or bases
6. Solutions with halides: chlorides, fluorides, bromides, iodides or sulfur
7. Bleach (Sodium Hypochlorite)
8. Solutions with chromates or chromium salts

** At temperatures above 40°C, additives or mineral deposits can adhere to the heater. If deposits are allowed to build up, the heater may overheat and fail. Higher temperatures and higher concentrations of additives will hasten deposit build up



Warning: Do not use a flammable liquid as a bath medium as a fire hazard may result.

Application Notes

At a fluid's low temperature extreme:

1. The presence of ice or slush adversely affects temperature stability.
2. A viscosity above 10 centistokes adversely affects temperature uniformity.
3. A high fluid viscosity and high pump speed adds heat to the fluid being pumped.

At a fluid's temperature above ambient without refrigeration:

1. To avoid friction heating of the fluid, the viscosity of the fluid should be 10 centistokes or less and within 15°C of room temperature.
2. Heat loss should be encouraged by uncovering the fluid and lowering the pump speed.

At fluid's high temperature extreme:

1. Heat loss from vapor adversely affects temperature stability.
2. To prevent the accumulation of vapors inside the room, the reservoir may need to be placed in a fume hood.
3. Use a cover and/or floating hollow balls to help prevent heat and vapor loss.
4. Replenish fluid lost from vapor frequently.

Section 9 - Service and Technical Support

If you have followed the troubleshooting steps outlined in Section 7 and your Circulator still fails to operate properly, contact the supplier from whom the unit was purchased. Have the following information available for the customer service person:

- Model, Serial Number, and Voltage (from back panel label)
- Date of purchase and purchase order number
- Supplier's order number or invoice number
- A summary of the problem